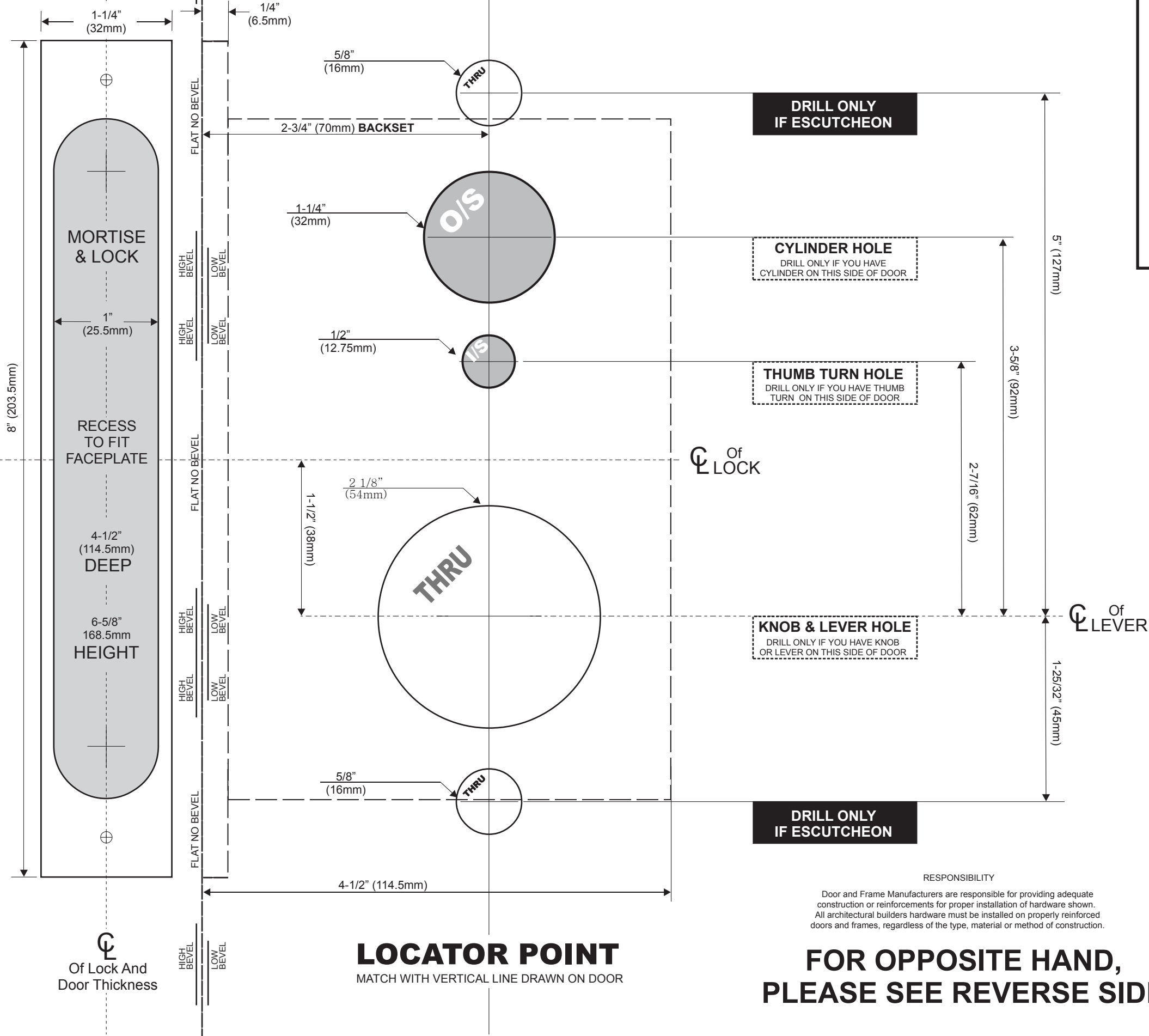
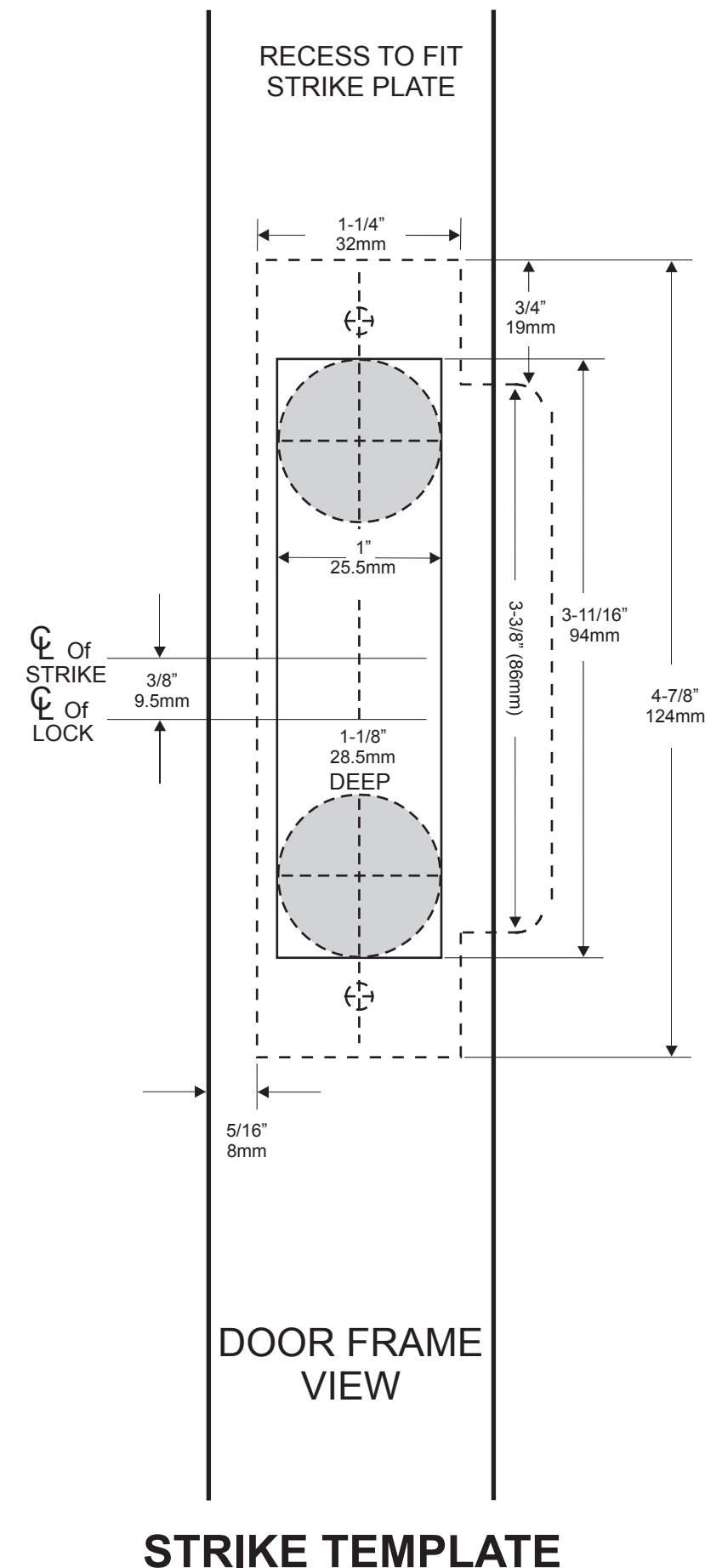


CLUTCHING MORTISE TEMPLATE



HEAVY DUTY MORTISE LOCK



RESPONSIBILITY
Door and Frame Manufacturers are responsible for providing adequate construction or reinforcements for proper installation of hardware shown. All architectural builders hardware must be installed on properly reinforced doors and frames, regardless of the type, material or method of construction.

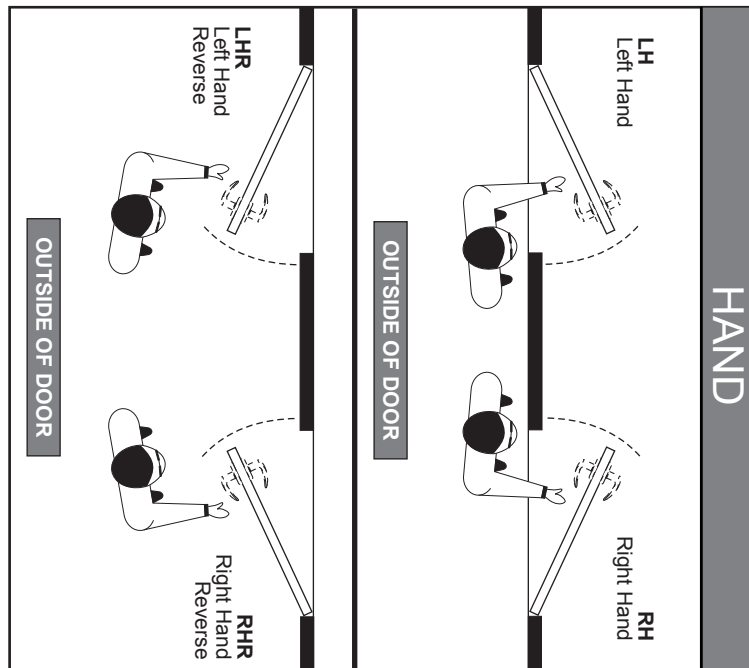
FOR OPPOSITE HAND, PLEASE SEE REVERSE SIDE

**LOCK POSITION
HEAVY DUTY MORTISE**

DOOR PREPARATION CHART

LOCK FUNCTION	OUTSIDE			INSIDE		
	Lever Hole	Cylinder Hole	Thumb Turn Hole	Lever Hole	Cylinder Hole	Thumb Turn Hole
01	●	●	●	●	●	●
04 / 05 / 06 / 07	●	●	●	●	●	●
08 / 12 / 13 / 15 / 20 / 21 / 26	●	●	●	●	●	●
09 / 11 / 14 / 30 / 32 / 34 / 35	●	●	●	●	●	●
2 / 19 / 22	●	●	●	●	●	●
18	●	●	●	●	●	●
17 / 29	●	●	●	●	●	●
16	●	●	●	●	●	●

HAND



CLUTCHING MORTISE TEMPLATE

