

INSTALLATION GUIDE

Heavy Duty
Commercial Mortise Lock

MDE Series

MVE Series

MDS Series

MVS Series



TownSteel Inc. 707 N. Barranca Ave., Bldg #6, Covina, CA 91723

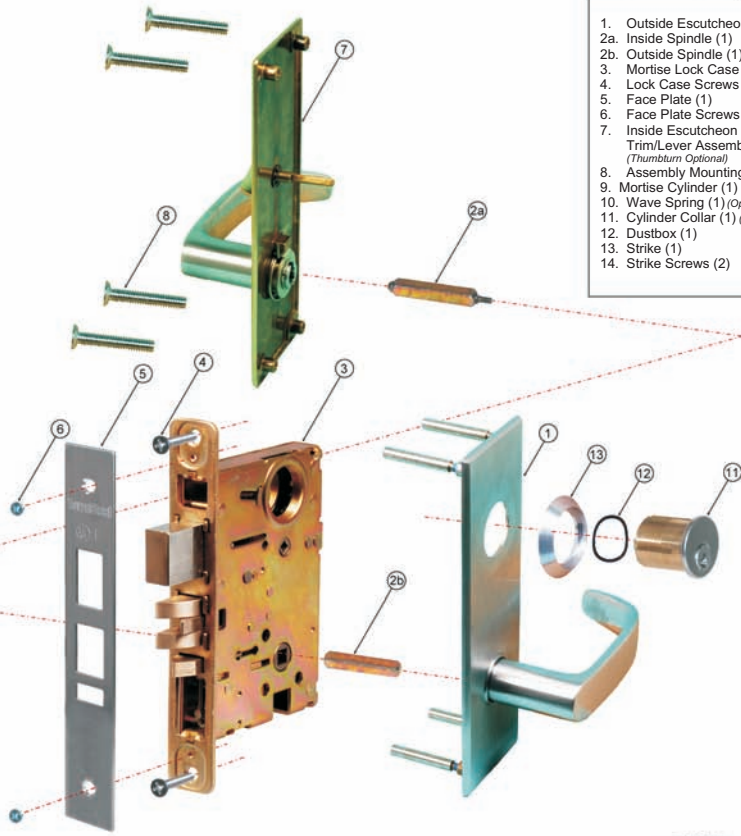
Technical Support: Tel: (626) 858-5080 Fax: (626) 858-3393 sales@townsteel.com

MDE Series, MVE Series

INSTALLATION GUIDE

Parts List Description

1. Outside Escutcheon Assembly (1)
- 2a. Inside Spindle (1)
- 2b. Outside Spindle (1)
3. Mortise Lock Case (1)
4. Lock Case Screws (2)
5. Face Plate (1)
6. Face Plate Screws (2)
7. Inside Escutcheon Trim/Lever Assembly (1) (Thumbturn Optional)
8. Assembly Mounting Screws (4)
9. Mortise Cylinder (1) (Optional)
10. Wave Spring (1) (Optional)
11. Cylinder Collar (1) (Optional)
12. Dustbox (1)
13. Strike (1)
14. Strike Screws (2)



Strike and Dustbox for Door Jamb.

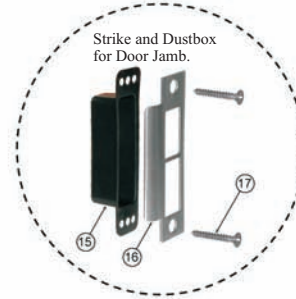
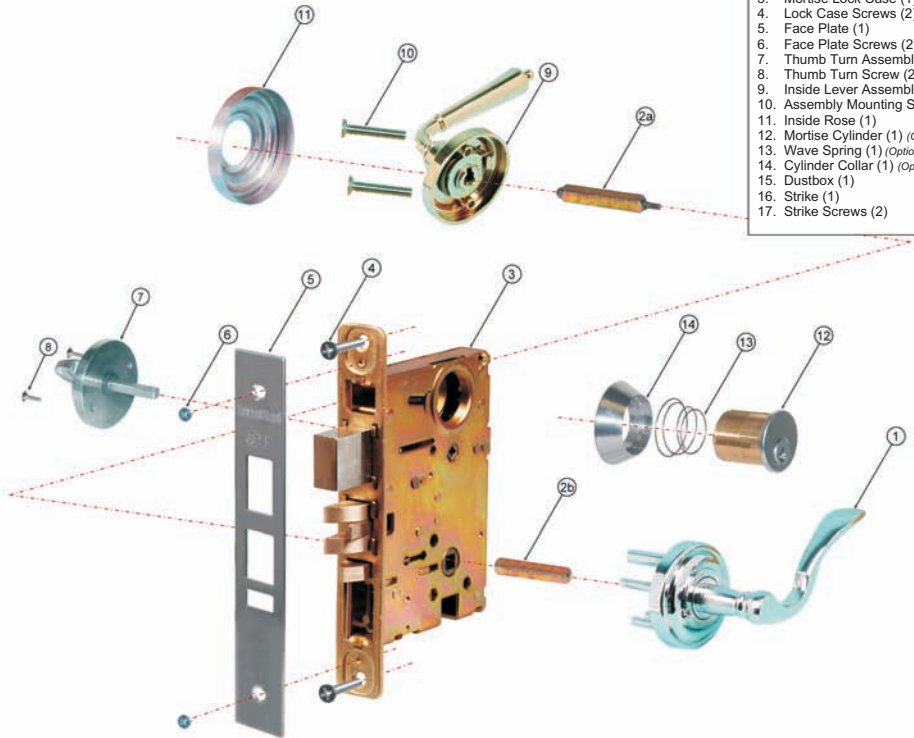
- Step 1: Prepare door per template (supplied).
- Step 2: Insert lockcase (3) into mortise cut-out (faceplate removed) and fasten to door with 2 screws (4).
- Step 3: Insert inside (2a) and outside (2b) spindles into the lockcase hubs and tighten screw.
- Step 4: Install outside escutcheon trim (1) onto spindle (2b) & 4 post thru holes on the door.
- Step 5: With the deadbolt projected, install the inside escutcheon Trim/Lever assembly (Thumbturn in horizontal position) (7) onto spindle (2a) & secure inside (7)/outside trim assemblies with 4 screws (8) temporarily
- Step 6: *Optional: Install cylinder (9), wave spring (10) and cylinder collar (11).* Adjust accordingly, tighten set screw and check lock (use key) for function.
- Step 7: Install faceplate (5) with two screws (6).
- Step 8: Tighten screws (6) and check lock for fit and function.
- Step 9: Install dustbox (12) and strike (13) to jamb and fasten with screws (14).

MDS Series, MVS Series

INSTALLATION GUIDE

Parts List Description

1. Outside Lever Assembly (1)
- 2a. Inside Spindle (1)
- 2b. Outside Spindle (1)
3. Mortise Lock Case (1)
4. Lock Case Screws (2)
5. Face Plate (1)
6. Face Plate Screws (2)
7. Thumb Turn Assembly (1) (Optional)
8. Thumb Turn Screw (2) (Optional)
9. Inside Lever Assembly (1)
10. Assembly Mounting Screws (2)
11. Inside Rose (1)
12. Mortise Cylinder (1) (Optional)
13. Wave Spring (1) (Optional)
14. Cylinder Collar (1) (Optional)
15. Dustbox (1)
16. Strike (1)
17. Strike Screws (2)



Strike and Dustbox for Door Jamb.

- Step 1: Prepare door per template (supplied).
- Step 2: Insert lockcase (3) into mortise cut-out (faceplate removed) and fasten to door with screws (4).
- Step 3: Insert inside (2a) and outside (2b) spindles into the lockcase hub and tighten screw.
- Step 4: Install outside lever assembly (1) onto spindle (2b) with the screw posts thru holes in lockcase.
- Step 5: Install inside mounting plate/lever assembly (9) onto spindle (2a) and secure inside (9)/outside (1) assemblies with two (10) screws temporarily.
- Step 6: *Optional: Install cylinder (12), wave spring (13) and cylinder collar (14).* Adjust accordingly, tighten set screw and check lock (use key) for function.
- Step 7: Install faceplate (5) with two screws (6).
- Step 8: Tighten screws (6) and check lock for fit and function.
- Step 9: Slide inside rose (11) onto inside lever assembly (9). Align indented dot over bottom notch and press to secure.
- Step 10: Install dustbox (15) and strike (16) to jamb and fasten with screws (17).
- Step 11: Install thumbturn assembly (if required).