

**Retrofit package available for the following brands:**

- ▶Schlage
- ▶Sargent
- ▶Corbin/Ruswin
- ▶Falcon
- ▶Emhart
- ▶Lockwood
- ▶Arrow
- ▶Yale
- ▶Marks
- ▶Best

\*All brand names and trademarks are the property of their respective owners.

**Available Trims:**



Sentinel



Congress



Gala



Quest



Tango



Imperial



Artistic



Regal

**Available Finishes:**

- ▶US3 (Bright Brass)
- ▶US4 (Satin Brass)
- ▶US26 (Bright Chrome)
- ▶US26D (Satin Chrome)
- ▶US32 (Bright SST)
- ▶US32D (Satin SST)

**Technical Support:**

Tel: (626) 858-5080  
Fax: (626) 858-3393

[sales@townsteel.com](mailto:sales@townsteel.com)

**TownSteel Inc.**  
707 N. Barranca Ave., Bldg #6, Covina, CA 91723

# INSTALLATION GUIDE

## RETROFIT

### Trim Package

***MRS Series***

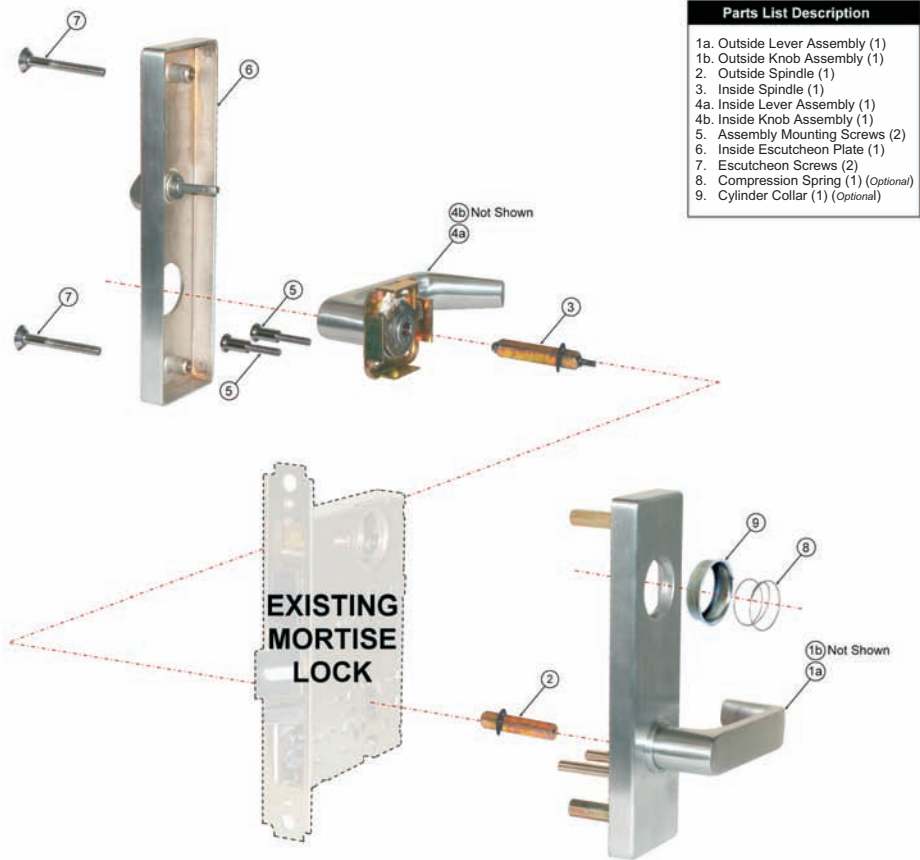
***MRE Series***

***MRW Series***



## Retrofit Escutcheon Trim

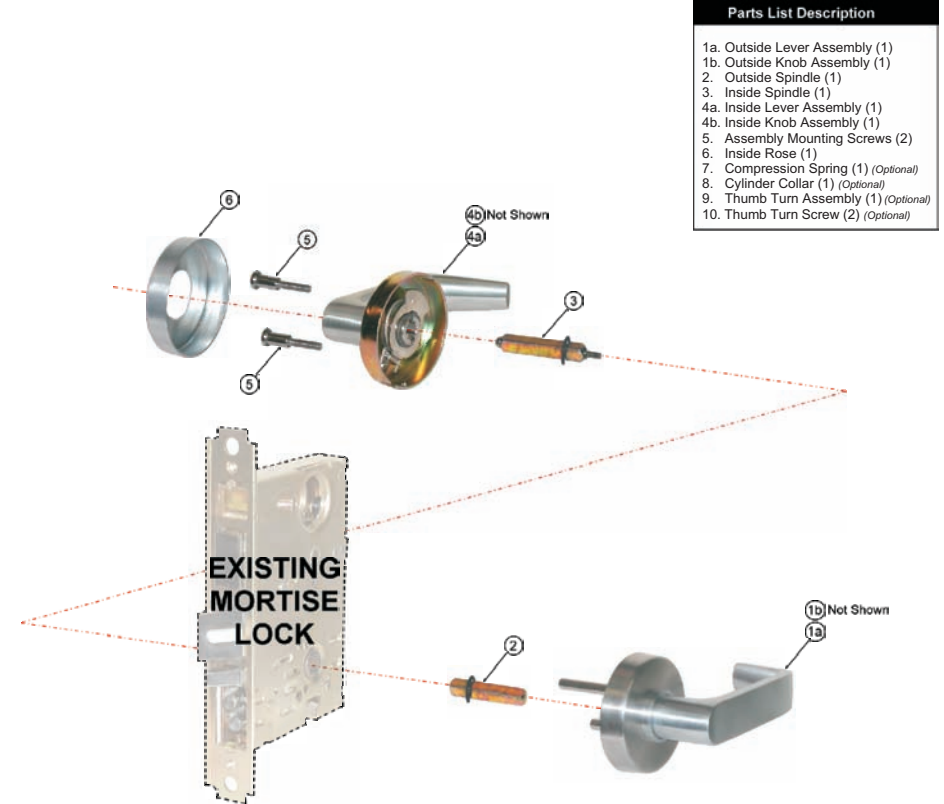
## INSTALLATION GUIDE



Parts List Description	
1a.	Outside Lever Assembly (1)
1b.	Outside Knob Assembly (1)
2.	Outside Spindle (1)
3.	Inside Spindle (1)
4a.	Inside Lever Assembly (1)
4b.	Inside Knob Assembly (1)
5.	Assembly Mounting Screws (2)
6.	Inside Escutcheon Plate (1)
7.	Escutcheon Screws (2)
8.	Compression Spring (1) (Optional)
9.	Cylinder Collar (1) (Optional)

## Retrofit Sectional Trim

## INSTALLATION GUIDE



Parts List Description	
1a.	Outside Lever Assembly (1)
1b.	Outside Knob Assembly (1)
2.	Outside Spindle (1)
3.	Inside Spindle (1)
4a.	Inside Lever Assembly (1)
4b.	Inside Knob Assembly (1)
5.	Assembly Mounting Screws (2)
6.	Inside Rose (1)
7.	Compression Spring (1) (Optional)
8.	Cylinder Collar (1) (Optional)
9.	Thumb Turn Assembly (1) (Optional)
10.	Thumb Turn Screw (2) (Optional)

- Step 1: Prepare door per template (supplied).
- Step 2: Insert outside spindle (2) and inside spindle (3) to door lock, and tighten screws.
- Step 3: Install outside lever/knob assembly (1a).  
Optional: Install cylinder collar (9), compression spring (8) and mortise cylinder, and secure.
- Step 4: Install inside lever/knob assembly (4a) and secure with screws (5).
- Step 5: Slide inside escutcheon (6) to inside lever/knob assembly (4a) and secure with screws (7).

- Step 1: Insert outside spindle (2) and inside spindle (3) to door lock, and tighten screws.
- Step 2: Install outside lever/knob assembly (1a).
- Step 3: Install inside lever/knob assembly (4a) and secure with screws (5).
- Step 4: Slide inside rose (6) to inside lever/knob assembly (4a). Align indented dot over bottom notch and press to secure.
- Step 5: Optional: Install cylinder collar, compression spring and mortise cylinder.
- Step 6: Optional: Install thumb turn assembly.

