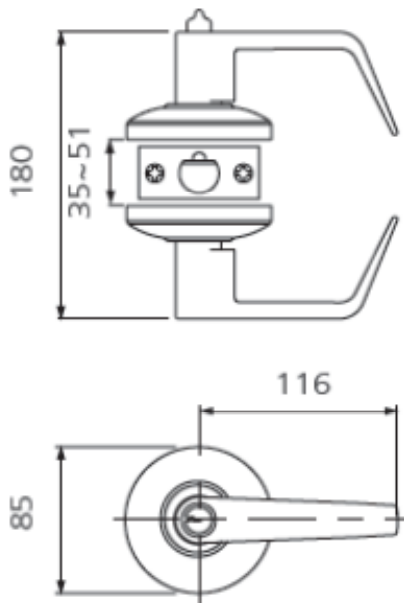


# CSRC-Heavy Duty Grade 2 Cylindrical Lockset



(Picture shows Sentinel Lever in US26D)



## Specification:

- **ANSI:** ANSI/BHMA A156.2-2003 Grade 2 Certified.
- **UL:** 3 hours fire rating certified
- **Door Thickness:** 1-3/8"-2" (35mm-51mm)
- **Backset:** 2-3/4" standard. 2-3/8", 3-3/4" and 5" optional
- **Strike:** ASA Strike standard, T-Strike Optional

- **Latchbolt:** Stainless steel with 1/2" (12.7mm) throw
- **Faceplate:** 1-1/8" x 2-1/4" (28.4mm x 57mm) , square corner
- **Cylinder:** 6pin solid brass cylinder, Schlage "C" keyway. Small Format IC Core available
- **Handing:** Non-Hand
- **Clutch Feature:** Standard
- **Available lever:** Sentinel, Gala, Quest
- **Available Finish:** US26D and US10B stock finish, other finishes upon request

## Code Compliance:

- ANSI/BHMA A156.2-2003 Grade 2 Certified
- UL: Listed 3-hour fire rating
- BAA: Meets guidelines of the Buy American Act
- ADA: Meets requirements of the Americans with Disabilities Act

## Available Function:

Series Number	Description
CSRC-75	Passage
CSRC-76	Privacy
CSRC-109	Entry
CSRC-84	Classroom
CSRC-86	Storeroom
CSRC-87	Asylum

### Notes:

1. Use CSRCI for SFIC less core configuration
2. Other functions upon request



TownSteel Inc. 17901 Railroad Street, City of Industry, CA 91748

Toll Free: 877-858-0888 Tel: 626-965-8917 Fax: 626-965-8919 <http://www.townsteel.com>