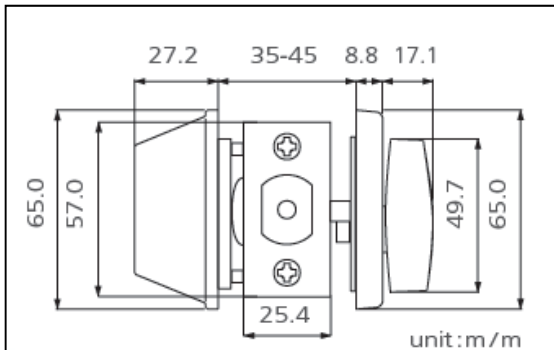


DBT-HEAVY DUTY GRADE 2 DEADBOLT



Specifications:

- **ANSI:** ANSI/BHMA A156.5-2001 Grade 2 Certified.
- **UL:** 3 hours fire rating certified
- **Door Thickness:** 1-3/8"-1-3/4" (35mm-45mm), 2" (51mm) optional
- **Backset:** 2-3/4" standard, 2-3/8" optional (lead time will apply upon order)
- **Strike:** Rectangular with door reinforce 1-1/8" x 2-3/4" x 5/64" (28.4mm x 69.8mm x 2.0mm), square corner standard
- **Latchbolt:** Solid brass with hardened steel rod insert, full 1" (25.4mm) throw
- **Faceplate:** 1-1/8" x 2-1/4" (28.4mm x 57mm), square corner
- **Cylinder:** 6pin solid brass cylinder, Schlage "C" keyway. Small Format IC Core available
- **Available Finish:** US3, US4, US10B, US26D, US32, US32D

Code Compliance:

- ANSI/BHMA A156.5-2001 Grade 2 Certified
- UL: Listed 3-hour fire rating
- BAA: Meets guidelines of the Buy American Act

Available Functions:

Series Number	Description
DBT-61	Single Cylinder
DBT-62	Double Cylinder
DBT-50	Thumb Turn Only
DBT-70	Thumb Turn with Indicator
DBT-65	Classroom
DBT-81	Cylinder with blank plate

Note: Use DBTI as prefix for SFIC less core configuration

Product Gallery



Thumb Turn



DBT-70 Outside



DBTI-61



DBT-62



TownSteel Inc. 17901 Railroad Street, City of Industry, CA 91748

Toll Free: 877-858-0888 Tel: 626-965-8917 Fax: 626-965-8919 <http://www.townsteel.com>